

# ES SERIES

ELECTRIC SCISSOR LIFTS



## Performance

### Platform Height—Elevated

|        |             |        |
|--------|-------------|--------|
| 1930ES | 18 ft 9 in. | 5.72 m |
| 2032ES | 20 ft       | 6.10 m |
| 2632ES | 25 ft 6 in. | 7.77 m |
| 2646ES | 26 ft       | 7.92 m |
| 3246ES | 31 ft 9 in. | 9.68 m |

### Platform Capacity

|        |                           |            |
|--------|---------------------------|------------|
| 1930ES | 500 lb                    | 227 kg     |
| 2032ES | 800 lb                    | 363 kg     |
| 2632ES | 500/800 lb <sup>1</sup>   | 227/363 kg |
| 2646ES | 1,000 lb                  | 454 kg     |
| 3246ES | 700/1,000 lb <sup>2</sup> | 318/454 kg |

### Capacity on Platform Extension

|        |        |
|--------|--------|
| 250 lb | 113 kg |
|--------|--------|

### Lift/Lower Time

|        |               |
|--------|---------------|
| 1930ES | 26/30 seconds |
| 2032ES | 28/40 seconds |
| 2632ES | 33/37 seconds |
| 2646ES | 41/50 seconds |
| 3246ES | 55/62 seconds |

### Maximum Drive Height

Fully Elevated

### Weight\*

|                |          |          |
|----------------|----------|----------|
| 1930ES         | 2,710 lb | 1,229 kg |
| 2032ES         | 3,610 lb | 1,638 kg |
| 2632ES         | 4,635 lb | 2,103 kg |
| 2646ES/ 3246ES | 4,975 lb | 2,257 kg |

### Ground Bearing Pressure

|                |         |                         |
|----------------|---------|-------------------------|
| 1930ES         | 109 psi | 7.66 kg/cm <sup>2</sup> |
| 2032ES         | 81 psi  | 5.69 kg/cm <sup>2</sup> |
| 2632ES         | 90 psi  | 6.32 kg/cm <sup>2</sup> |
| 2646ES/ 3246ES | 87 psi  | 6.11 kg/cm <sup>2</sup> |

### Drive Speed—Elevated

|         |          |
|---------|----------|
| 0.5 mph | 0.8 km/h |
|---------|----------|

### Drive Speed—Lowered

|                |          |           |
|----------------|----------|-----------|
| 1930ES         | 3.0 mph  | 4.82 km/h |
| 2032ES/ 2632ES | 2.75 mph | 4.43 km/h |
| 2646ES/ 3246ES | 2.50 mph | 4.00 km/h |

### Gradeability

25%

### Turning Radius (Inside)

Zero

### Turning Radius (Outside)

|                |        |        |
|----------------|--------|--------|
| 1930ES         | 69 in. | 1.75 m |
| 2032ES/ 2632ES | 81 in. | 2.06 m |
| 2646ES/ 3246ES | 95 in. | 2.41 m |

\* Certain options or country standards will increase weight.

1. 800 lb restricted to 20 ft., 500 lb unrestricted.

2. 1,000 lb restricted to 26 ft., 700 lb unrestricted.

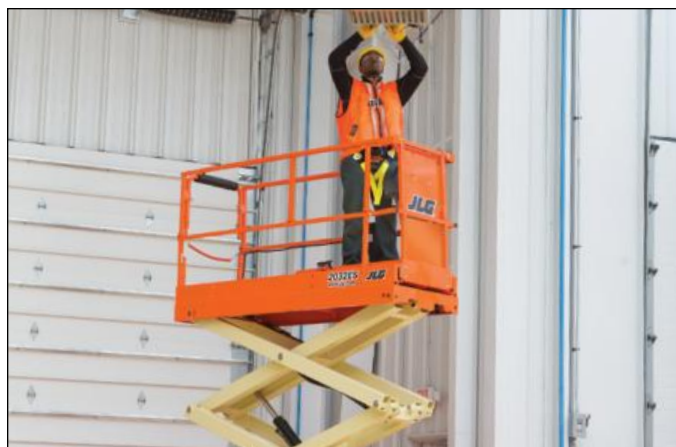
## Standard Specifications

### Power Source

|           |                  |
|-----------|------------------|
| Batteries | 4x6V, 220 amp-hr |
| Charger   | 20 Amp Automatic |
| Drive     | 24V Electric 8hp |

### Hydraulic Reservoir

|                      |                         |        |
|----------------------|-------------------------|--------|
| Capacity             |                         |        |
| 1930ES/2032ES/2632ES | 1.25 gal.               | 4.73 L |
| 2646ES/3246ES        | 1.7 gal.                | 6.4 L  |
| Pump                 | Fixed Displacement Gear |        |



## Tires

|                             |                                |
|-----------------------------|--------------------------------|
| Tire Size/Type              |                                |
| 1930ES                      | 12.5 x 4 in. Non-Marking Solid |
| 2032ES/2632ES/2646ES/3246ES | 16 x 5 in. Non-Marking Solid   |

## Brakes

- Electric/Friction

## Standard Features

- Proportional Controls
- Industry Leading Duty Cycles
- Drywall Gate<sup>3</sup>
- Battery Condition Indicator
- Fold-Down Guard Rails<sup>4</sup>
- 110V-AC Receptacle in Platform
- Slide-Out Battery Trays
- Automatic Traction Control (ATC)
- All Motion Alarm
- 20 Amp Automatic SCR Charger
- Horn
- Hourmeter
- Manual Descent Pull Cable
- Tilt Alarm and Light
- Lanyard Attach Points
- Movable, Removable Platform Control
- Powder-Coated
- Console with Rail Mounting Bracket
- Nickel Plated Pins
- Lubrication Free Scissor Arm Bushings
- Scissor Maintenance Prop
- Mechanized Pothole Protection
- Machine Tie Downs
- Fork Lift Pockets
- 36 in. (91 cm) Roll-Out Deck Extension<sup>5</sup>
- 50 in. (1.27 m) Roll-Out Deck Extension<sup>6</sup>
- Four 6V, 220 Amp-Hour Deep Cycle Batteries

3. Not included on 1930ES. 4. Optional on 1930ES. 5. 1930ES, 2032ES and 2632ES. 6. 2646ES and 3246ES.

## Accessories & Options

- Spring-Loaded Gate
- Flashing Amber Beacon
- 245 Amp-Hour Batteries<sup>7</sup>
- 900W Inverter
- Lifting Lugs
- UL® EE Rating<sup>8</sup>
- Platform Padding
- Platform Padding with Proximity Switches
- 1/2 in. Airline
- Quik Welder Prep Package<sup>9</sup>
- Nite Bright<sup>10</sup>
- 220 Amp-Hour AGM Batteries<sup>11</sup>
- Special Hydraulic Oils
- Accessory Packages:
  - Electrician's Package
  - Plumber's Package
  - JLG® Workstation
  - Panel Carrier Accessory<sup>7</sup>
  - Pipe Rack Accessory<sup>7</sup>
  - Quik Welder® Package
  - Plant Maintenance Package

7. Not available on the 1930ES. 8. Not available with AGM Batteries. 9. Includes power cable for welder and fire extinguisher. 10. Includes two platform mounted worklights. 11. Not available on EE rated units.

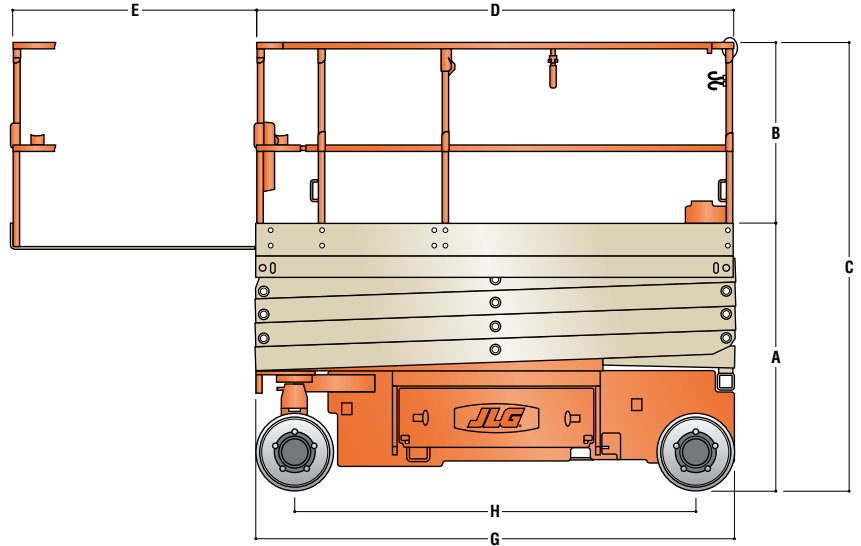
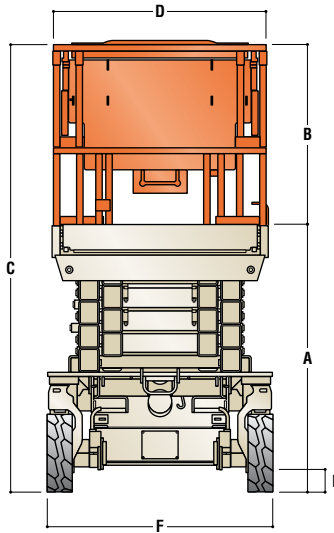
# ES SERIES

ELECTRIC SCISSOR LIFTS



## Dimensions

All dimensions are approximate.



### A. Platform Height—Lowered

|        |          |        |
|--------|----------|--------|
| 1930ES | 34 in.   | 0.86 m |
| 2032ES | 43.5 in. | 1.10 m |
| 2632ES | 48.5 in. | 1.23 m |
| 2646ES | 49.5 in. | 1.26 m |
| 3246ES | 49.5 in. | 1.26 m |

### B. Platform Railing Height ES Series

|          |        |
|----------|--------|
| 43.3 in. | 1.10 m |
|----------|--------|

### C. Overall Height—Rails Lowered

|               |               |        |
|---------------|---------------|--------|
| 1930ES        | N/A           |        |
| 2032ES        | 5 ft 11.5 in. | 1.80 m |
| 2632ES        | 6 ft 4.5 in.  | 1.94 m |
| 2646ES/3246ES | 6 ft 5.5 in.  | 1.97 m |

### D. Platform Size

|               |               |               |
|---------------|---------------|---------------|
| 1930ES        | 30 x 73.5 in. | 0.76 x 1.87 m |
| 2032ES/2632ES | 30 x 90.5 in. | 0.76 x 2.3 m  |
| 2646ES/3246ES | 44 x 98.5 in. | 1.12 x 2.5 m  |

### E. Platform Extension

|                      |          |        |
|----------------------|----------|--------|
| 1930ES/2032ES/2632ES | 35.5 in. | 0.9 m  |
| 2646ES/3246ES        | 50 in.   | 1.27 m |

### F. Overall Width

|               |        |        |
|---------------|--------|--------|
| 1930ES        | 30 in. | 76 cm  |
| 2032ES/2632ES | 32 in. | 81 cm  |
| 2646ES/3246ES | 46 in. | 1.17 m |

### G. Overall Length

|               |              |        |
|---------------|--------------|--------|
| 1930ES        | 6 ft 1.5 in. | 1.87 m |
| 2032ES/2632ES | 7 ft 6.5 in. | 2.3 m  |
| 2646ES/3246ES | 8 ft 2.5 in. | 2.5 m  |

### H. Wheelbase

|               |             |        |
|---------------|-------------|--------|
| 1930ES        | 5 ft 3 in.  | 1.6 m  |
| 2032ES/2632ES | 6 ft 2 in.  | 1.88 m |
| 2646ES/3246ES | 6 ft 10 in. | 2.09 m |

### I. Ground Clearance

|                      |         |         |
|----------------------|---------|---------|
| 1930ES/2032ES/2632ES | 3.5 in. | 8.8 cm  |
| 2646ES/3246ES        | 5 in.   | 12.7 cm |



## The JLG "1 & 5" Warranty

We provide coverage for one (1) full year, and cover all specified major structural components for five (5) years. Due to continuous product improvements, we reserve the right to make specification and/or equipment changes without prior notification. This machine meets or exceeds applicable ANSI and CSA requirements based on machine configuration as originally manufactured for intended applications. Please reference the serial number plate on the machine for additional information.

Part No.: 3131580  
R121711  
Printed in USA

**JLG Industries, Inc.**  
1 JLG Drive  
McCconnellsburg, PA 17233-9533  
Telephone 717-485-5161  
Toll-free in US 877-JLG-LIFT  
Fax 717-485-6417  
[www.jlg.com](http://www.jlg.com)

**An Oshkosh Corporation Company**